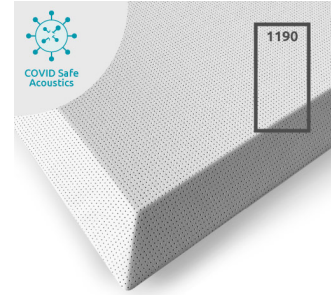
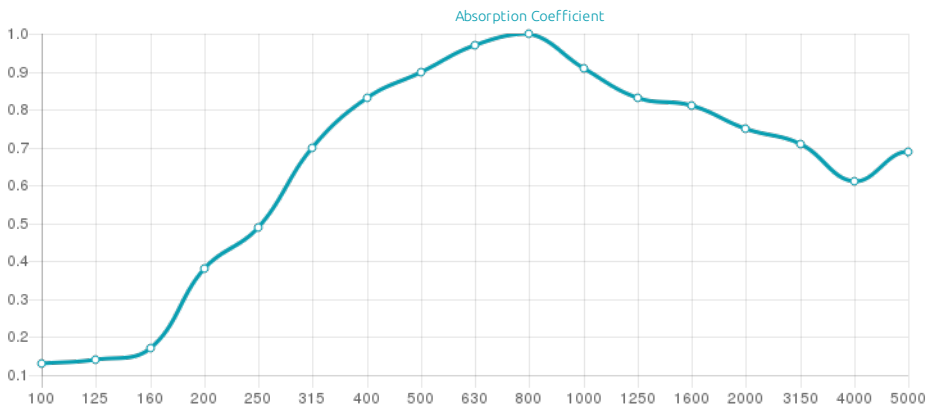


**Performance**



**Features**

Absorption Range: 315 Hz to 4000 Hz

Acoustic Class: B | (aw) = 0,80

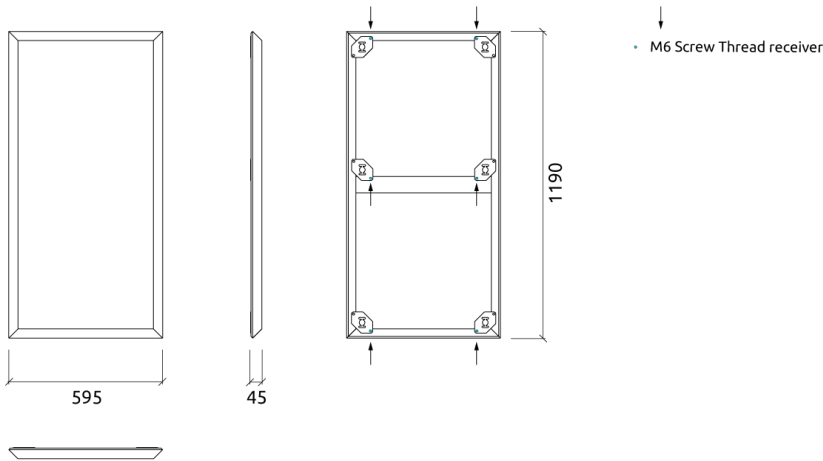
Av ailable Fire Rate:  
FR | Fire Rated

- Materials:
- Acoustic Antimicrobial & Cleanable Faux Leather
  - Fire Retardant HMDF structural frame
  - Sound PET absorption layer

**Dimensions:**

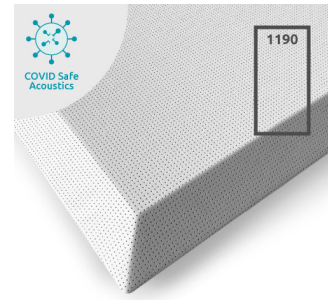
FR- TB | 595x1190x45mm | 4.6 Kg

**Technical Information**



Noise in healthcare facilities is a well known problem with serious consequences. Acoustic levels in today's hospitals are the highest ever documented and have a tremendous impact on the privacy, comfort and stress levels of patients and staff. Even in well-being spaces, such as gyms, pools or spas; acoustic comfort plays a huge role in how beneficial and enjoyable our experience is.

Troy is an efficient fabric absorber panel, with high-performance levels reaching down to the 315 Hz region. Troy's outer frame encloses all sides of the panel, that also has a simple, integrated fixing system, that installs the panel flush to the surface, which make this panel a perfect choice for ceiling and wall applications.



### Product finishes

#### (FR - T B) Antimicrobial Fabric Finishes



FR | (TV 181) Delft



FR | (TV 182) Sky light



FR | (TV 183) Auster



FR | (TV 184) Perle



FR | (TV 185) Schwarz



FR | (TV 186) Pure White



FR | (TV 187) Leinen



FR | (TV 188) Squash



FR | (TV 189) Avocado



FR | (TV 190) Kirsche

### Purpose

- Noise Control
- RT reduction
- Flutter echo control
- Reducing excessive reverberation
- Improving speech intelligibility

### Recommended for

#### Healthcare

- Intensive Care Units
- Emergency Rooms
- Medical Private Rooms
- Medical Consultation Offices
- Medical Wards
- Medical Ward Corridors
- Waiting Rooms
- Receptions

#### Well-being

- Private Rooms
- Consultation Rooms
- Locker-Rooms
- Massage Rooms
- Waiting Rooms
- Receptions